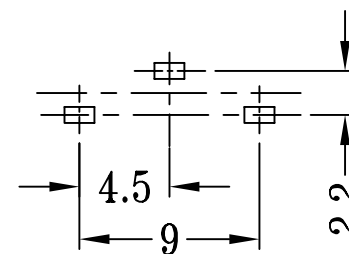
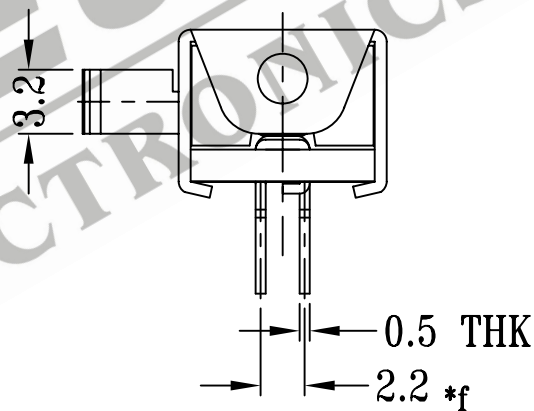
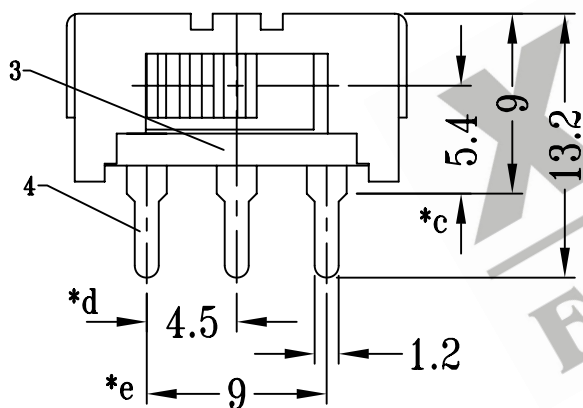
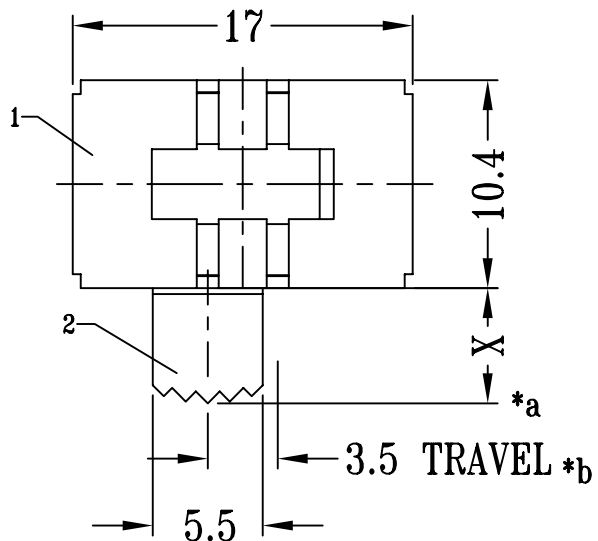


CAD FILE:



SCHMATIC (NON-SHORTING)

P.C.B LAYOUT

注：“\*”表示关键尺寸（6个）

NO.	PART NAME	MATERIAL	Q'TY	FINISHING	TOLERANCE UNLESS SPECIFIED	SHENZHEN XIEJIA ELECTRONICS CO.,LTD.				
8										
7										
6	SPRING PLATE	PBS STRIP	1	NATURAL	WITHIN: 1.5±0.1mm	ISSUE	DATE	DESCRIPTIONS		APPD.
5	CONTACT CLIP	COPPER STRIP	1	Ag PLATED	OVER : 1.5±0.2mm					
4	TERMINAL	COPPER STRIP	3	Ag PLATED OVER Ni PLATED	TITLE : HORIZONTAL SLIDE SWITCH		UNIT : MM	DRWG NO.: XJ-DR-SK12G05-00		
3	BASE	PHENOLIC RESIN	1	BLACK	MODEL: SK-12G05		SCALE: 5:2	DWN.	ZHOUYU	2001-1-26
2	KNOB	PC	1	BLACK	ALL MATERIALS MUST BE COMPLIANT TO ROHS			CHK'D	FANGYING	2001-1-26
1	FRAME	STEEL STRIP	1	Ni PLATED				APPD.	KANGXINAN	2001-1-26